

M16

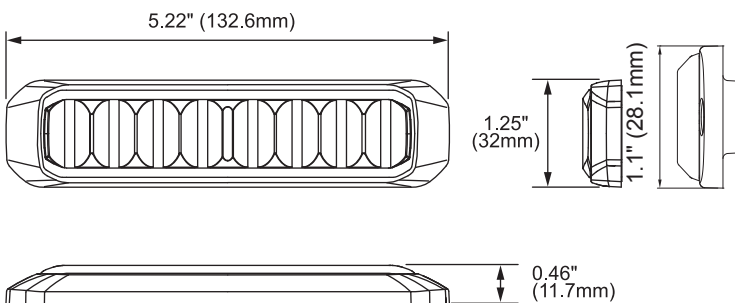
WIDE ANGLE OUTPUT DUAL COLOR / MULTI-MODE PERIMETER WARNING LIGHTHEAD


Dual Color


FEATURES

- Wide angle output optics produce unrivaled off axis output.
- Dual Color / Multi - Mode capability promotes adaptability.
- Color Setting Modes allow flashing of one color, or both, while also allowing for isolation of one color for steady / cruise / scene / illumination lighting.
- Low profile design promotes clean, streamlined aesthetics.
- Black bezel included with each unit, white and chrome sold separately.
- Self-contained; no external flasher required or use the new **BLINKCAST** programmer (PC).
- Multi-unit synchronization in simultaneous or alternating flash
- UV infused lenses are ultra-resistant to yellowing / cracking due to harsh weather / road conditions
- Fully Weatherproof and vibration resistant design for external or internal use
- Solid aluminum base facilitates efficient heat dissipation while also maximizing durability
- Non-volatile memory recalls last flash pattern used at power up
- Reverse polarity and load dump protection

DIMENSIONS



PART NUMBER

M16-xx: Replace "xx" with preferred colors

SPECIFICATIONS

- Compliance: SAE J595 Class 1; SAE J845 Class 1; CA Title 13, IPX7; CISPR 25
- LED Count: 16 (interleaved 8x8)
- Flash Patterns: 30
- Operating Voltage: 12~24VDC
- Avg. Current: 0.52A @12VDC / 0.26A @24VDC
- Max. Current: 1.04A @12VDC / 0.52A @24VDC
- Avg. Power: 6.24 Watts
- Max. Power: 12.48 Watts
- Wires: Black - GND: (9.84" / 20AWG)
Red - Warning Memory 1: (9.84" / 20AWG)
White - Warning Memory 2: (9.84" / 20AWG)
Yellow - Flash Patterns & Sync: (29.84" / 20AWG)
- Fuse Rating: 2A
- Synchronization: Up to 20 units
- LED Color: Amber, Blue, Green, Red, White (most combinations of any 2 colors)
- Lens Color: Clear
- Storage Temp.: -40°F to +167°F
- Working Temp.: -30°F to +149°F
- Warranty: 5 Years

BLINKCAST Quick Configuration Tool

Save valuable time by using the new Blinkcast programming module! Simply download the Blinkcast User Interface to any PC and eliminate the tedious wire tapping for flash pattern selection, groups / phases, flash modes, etc.



*One unit sent free of charge with first M16 lighthead purchase.