

# SL209

## 6 LED Exterior Scene Light



### FEATURES

- Curved design maximizes coverage
- Streamline aesthetics
- Available with black or white base
- Die-cast aluminum base efficiently dissipates heat
- UV stabilized polycarbonate lens: Stabilizer is injected into PC during manufacturing, resulting in superior resistance to environmental effects. (yellowing, cracking, etc.)
- 12~24V wide range input
- Weatherproof & vibration resistant
- LEDs rated to 100,000+ hours of operation
- Reverse polarity protection
- 5 year, no-hassle warranty

### SPECIFICATIONS

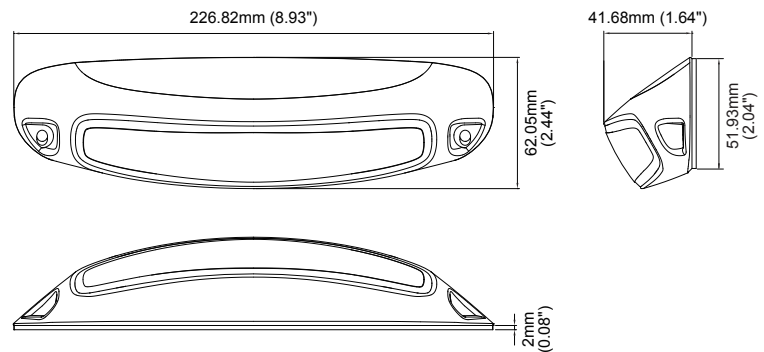
- Input Voltage: 12~24 Vdc
- Beam Type: Flood
- Raw Lumen: 1730 lm
- Effective Lumen: 1460 lm
- Current Draw: 1.12A @ 12Vdc - 0.56A @ 24Vdc
- Max. Power: 13.44W
- LED Count: 6
- LED Color: White
- Dimensions: 8.93"L x 2.04"H x 1.64"D
- Weight: 410g

### PART NUMBER

SL209-B: Black base

SL209-W: White base

### DIMENSIONS



### BEAM PATTERN

